

Summary of Inventory Resources

The following inventory summary itemizes the in-scope assets to be considered for support. The JCC has several Microsoft Azure and Amazon Web Services (AWS) tenants, as well as a legacy on-premises data center at the JCC office in San Francisco. In all cases, there are a variety of resources requiring operational support including applications, storage solutions, databases, software/middleware, and various other systems.

Several diagrams including the JCC internal Wide Area Network (WAN), San Francisco Local Area Network (LAN), and JCC branch wide network overview are included. In the summary of resources for the branch wide network there are components for the two Equinix facilities. Equinix is the infrastructure that provides interconnection solutions for secure access to applications hosted in our cloud-based platforms.

JCC Operationally Supported Resources Inventory - Data Center

| Vendor | Version | Quantity | Notes |
|--------------------|--------------------|----------|---|
| Rubrik | Cloud Hosted | 1 | Manage back ups of our CALJC Microsoft 365 (email, SharePoint, OneDrive, Teams) |
| NetApp / NAS | Netbackup 8.2 | 2 | |
| NetApp / NAS | Netbackup 10.0.0.1 | 2 | |
| Windows / File Svr | File Server | 2 | |
| SUN PHYS Host | RHEL | 2 | |
| VMWare Host | Windows | 25 | |
| VMWare VM | RHEL 5 | 2 | |
| VMWare VM | RHEL 6 | 13 | |
| VMWare VM | RHEL 7 | 10 | |
| VMWare VM | RHEL 8 | 6 | |
| VMWare VM | UBUNTU 18 | 0 | |
| VMWare VM | Windows | 23 | |
| VMWare VM | RHEL 5 | 0 | |
| VMWare VM | RHEL 6 | 48 | |
| VMWare VM | RHEL 7 | 22 | |
| VMWare VM | RHEL 8 | 43 | |
| VMWare VM | UBUNTU 18 | 2 | |
| VMWare VM | Windows | 117 | |
| HPE DL385P-G8 | WINDOWS 2012 | 4 | |
| HPE DL360-G7 | WINDOWS 2012 | 4 | |
| HYPER-V | WINDOWS 2012 | 2 | |
| HPE DL365-G1 | WINDOWS 2012 | 1 | |

JCC Operationally Supported Resources Inventory - Network

| Vendor | Version | Quantity | Notes |
|-----------------------------------|--------------|----------|-------|
| AT&T ASE Circuit | N/A | 13 | |
| AT&T Opt-e-MAN | N/A | 1 | |
| AT&T MIS | N/A | 2 | |
| AT&T Opt-e-MAN | N/A | 2 | |
| AT&T MIS | N/A | 1 | |
| Cisco 3750 Stackable Switches | 12.2(25)SEE2 | 2 | |
| Cisco 3750 Stackable Switches | 12.2(35)SE5 | 4 | |
| Cisco 3945E Integrated Services | 15.4(3)M2 | 1 | |
| Cisco 4431 Integrated Services R | 15.4(3)S2 | 2 | |
| Cisco 4431 Integrated Services R | 16.6.4 | 1 | |
| Cisco 5508 Wireless LAN Control | 8.2.151.0 | 1 | |
| Cisco ASR 1001-X Router | Router | 2 | |
| Cisco CallManager | N/A | 1 | |
| Cisco Catalyst 3560X-24T-L,S Swi | 15.0(2)SE6 | 1 | |
| Cisco Catalyst 4507R plus E Switc | 03.02.04.SG | 11 | |
| Cisco Catalyst 4948 Switch | 12.2(31)SGA4 | 1 | |
| Cisco Catalyst 6500 Virtual Switc | 15.2(1)SY5 | 1 | |
| Cisco Catalyst 6509 Switch | 15.2(1)SY4 | 1 | |
| Cisco Catalyst 9300 Switch | 16.9.2 | 4 | |
| Cisco Catalyst 9300 Switch | 16.9.3 | 6 | |
| Cisco Catalyst 9800-40 Wireless | 17.3.4c | 1 | |
| Cisco Catalyst38xx stack-able eth | 03.06.08E | 3 | |
| Cisco Catalyst38xx stack-able eth | 16.6.1 | 6 | |
| Cisco ME 3400EG-12CS-M Switch | 12.2(50)SE4 | 1 | |
| Cisco Nexus 5672UP Switch | 7.3(3)N1(1) | 3 | |

Summary of Azure Resources

| Type | Count |
|--|-------|
| API Connection | 24 |
| API Management service | 2 |
| App Service | 188 |
| App Service (Slot) | 3 |
| App Service plan | 70 |
| Application gateway | 9 |
| Application group | 7 |
| Application Insights | 66 |
| Application security group | 65 |
| Automation Account | 19 |
| Availability set | 111 |
| Availability test | 2 |
| Azure AD Domain Services | 2 |
| Azure Cache for Redis | 18 |
| Azure Cosmos DB account | 8 |
| Azure Cosmos DB for MongoDB account | 14 |
| Azure Data Box | 7 |
| Azure Database for MariaDB server | 20 |
| Azure Database for MySQL single server | 1 |
| Azure DevOps organization | 1 |
| Azure Load Testing | 3 |
| Azure Workbook | 17 |
| B2C Tenant | 1 |
| Backup vault | 1 |
| Bastion | 34 |
| Cloud service (classic) | 1 |
| Connection | 7 |
| Container registry | 7 |
| Container registry replication | 2 |
| Data collection rule | 12 |
| Disk | 826 |
| Disk Access | 1 |
| DNS zone | 1 |
| Event Grid System Topic | 4 |
| Event Hubs Namespace | 2 |
| ExpressRoute circuit | 3 |
| Firewall | 3 |
| Firewall Policy | 1 |
| Front Door and CDN profiles | 9 |
| Front Door WAF policy | 6 |
| Function App | 24 |
| Guest Usage | 2 |
| Host pool | 6 |
| Image | 1 |

| | |
|--------------------------|------|
| Key vault | 27 |
| Language | 1 |
| Language understanding | 9 |
| Load balancer | 4 |
| Local network gateway | 6 |
| Log Analytics query pack | 10 |
| Log Analytics workspace | 68 |
| Logic app | 85 |
| Managed Identity | 8 |
| Network Interface | 664 |
| Network security group | 162 |
| Network Watcher | 39 |
| NSG Flow log | 25 |
| Private DNS zone | 57 |
| Private endpoint | 234 |
| Public IP address | 66 |
| QnA maker | 2 |
| Recovery Services vault | 50 |
| Resource Graph query | 4 |
| Restore Point Collection | 232 |
| Route table | 57 |
| Runbook | 95 |
| SaaS | 1 |
| Scaling plan | 1 |
| Search service | 2 |
| Service Bus Namespace | 7 |
| Services Hub Connector | 1 |
| Shared dashboard | 9 |
| SignalR | 10 |
| Snapshot | 163 |
| Solution | 132 |
| Speech service | 1 |
| SQL database | 5 |
| SQL server | 5 |
| SQL virtual machine | 1 |
| SSH key | 5 |
| Static Web App | 18 |
| Storage account | 318 |
| Template spec | 11 |
| Traffic Manager profile | 1 |
| Translator | 6 |
| Virtual machine | 403 |
| Virtual network | 51 |
| Virtual network gateway | 5 |
| Web App Bot | 1 |
| Workspace | 6 |
| Grand Total | 4679 |

Azure Virtual Machine's

| Row Labels | Count of TYPE |
|------------------------|---------------|
| Virtual machine | 403 |
| Linux | 152 |
| Standard_B2s | 3 |
| Standard_D1 | 1 |
| Standard_D16s_v3 | 2 |
| Standard_D16s_v4 | 6 |
| Standard_D2_v3 | 1 |
| Standard_D2s_v3 | 29 |
| Standard_D2s_v4 | 5 |
| Standard_D2s_v5 | 1 |
| Standard_D4ds_v5 | 3 |
| Standard_D4s_v3 | 4 |
| Standard_D4s_v4 | 5 |
| Standard_D8s_v3 | 7 |
| Standard_D8s_v4 | 2 |
| Standard_DS1_v2 | 22 |
| Standard_DS12_v2 | 2 |
| Standard_DS2_v2 | 7 |
| Standard_E2ds_v4 | 17 |
| Standard_E2s_v3 | 1 |
| Standard_E4-2ds_v5 | 7 |
| Standard_E4s_v3 | 15 |
| Standard_E8-4s_v3 | 1 |
| Standard_E8s_v3 | 3 |
| Standard_F16s_v2 | 2 |
| Standard_M32ls | 1 |
| Standard_M32ms | 3 |
| Standard_M64ls | 1 |
| Standard_M64ms | 1 |
| Windows | 251 |
| Standard_B2ms | 3 |
| Standard_B4ms | 2 |
| Standard_D2ads_v5 | 1 |
| Standard_D2as_v4 | 13 |
| Standard_D2ds_v4 | 2 |
| Standard_D2s_v3 | 94 |
| Standard_D2s_v4 | 10 |
| Standard_D4ds_v4 | 2 |
| Standard_D4s_v3 | 1 |
| Standard_D4s_v4 | 2 |
| Standard_D8s_v3 | 1 |
| Standard_DS1_v2 | 4 |
| Standard_E2ds_v4 | 21 |

| | |
|--------------------|------------|
| Standard_E2s_v3 | 68 |
| Standard_E2s_v4 | 17 |
| Standard_E2s_v5 | 5 |
| Standard_E4-2as_v5 | 2 |
| Standard_E4-2ds_v4 | 1 |
| Standard_E4-2ds_v5 | 1 |
| Standard_E4s_v4 | 1 |
| Grand Total | 403 |

Summary of AWS Resources

| Type | Vendor | Version | Quantity |
|------|----------------|-----------|----------|
| AWS | VM | RHEL 8 | 6 |
| AWS | VM | RHEL 6 | 1 |
| AWS | VM | UBUNTU 14 | 2 |
| AWS | VPN | Dir Conn | 2 |
| AWS | Axway ST VM | RHEL | 3 |
| AWS | Axway Edge VM | RHEL | 3 |
| AWS | Pilot Light VM | RHEL | 2 |
| AWS | Bastion VM | Windows | 3 |
| AWS | Router | N/A | 3 |
| AWS | VPN Gateway | N/A | 3 |

| Oracle Databases | |
|-------------------------|------------------------------------|
| Row Labels | Count of No of DB Instances |
| AWS | 6 |
| 19.3 | 5 |
| 12.2.0.1 | 1 |
| Azure | 14 |
| 19.3 | 14 |
| On-Prem | 56 |
| 19.3 | 26 |
| 11.2.0.4 | 2 |
| 12.1.0.1 | 2 |
| 12.1.0.2 | 18 |
| 12.2.0.1 | 7 |
| 18c | 1 |
| Grand Total | 76 |

| Azure Database Accounts | |
|--|------------------------|
| Row Labels | Count of STATUS |
| Azure Cosmos DB account | 8 |
| West US | 7 |
| West US 2 | 1 |
| Azure Cosmos DB for MongoDB account | 13 |
| West US | 13 |
| Online | 1 |
| West US | 1 |
| Grand Total | 22 |

| Azure MariaDB Database | |
|-----------------------------------|-------------------------------|
| Row Labels | Count of RESOURCE TYPE |
| Azure Database for MariaDB server | 20 |
| Grand Total | 20 |

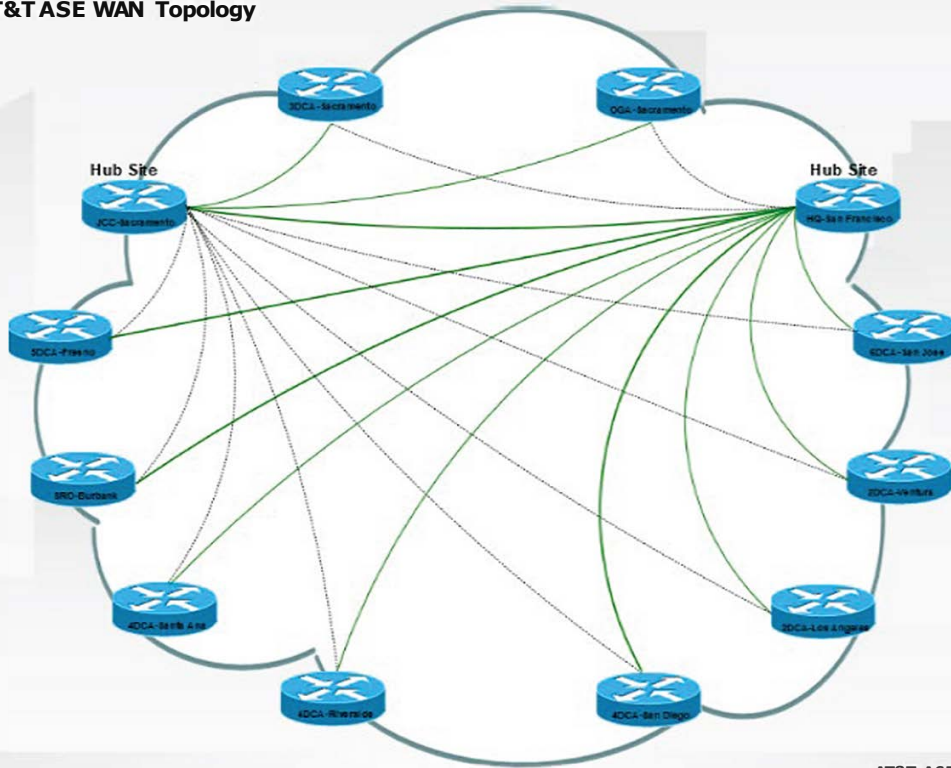
| MiddleWare Software | Version | Total |
|--|-----------------|-------|
| .NET Framework | 4.5.1 | 1 |
| ActiveMatrix Businessworks | 5.12 | 1 |
| ActiveMatrix Businessworks | 5.13.0 | 1 |
| ActiveMatrix Businessworks | 5.14 | 1 |
| Ancile RWD App/Web | 5.4 | 1 |
| Ancile RWD Search Index | 1 | 1 |
| Apache | 2.4.41 | 1 |
| Apache | 2.4.52 | 4 |
| Business Objects XI | 4.1_SP2 | 1 |
| Business Objects XI | 4.1_SP7_Patch 5 | 2 |
| Business Objects XI | 4.2_SP7_Patch 1 | 1 |
| ColdFusion | 11.0_0007 | 1 |
| Datamaxx | 3.2.5.0 | 1 |
| FileNet | P8 | 1 |
| Helicon isapi/rewrite/3 | | 1 |
| Helicon isapi/rewrite/3 upgrade license | 3 | 1 |
| Internet Information Services | 7.0.6000.16386 | 1 |
| Internet Information Services | 7.5 | 1 |
| isapi/rewrite/3 | e | 1 |
| isapi/rewrite/3 new license | | 1 |
| Java Development Kit | 1.7 | 1 |
| Java Development Kit | 1.7.0_45 | 1 |
| Java Development Kit | 1.7.0_67 | 1 |
| Java Development Kit | 1.7.0_80 | 1 |
| Java Development Kit | 1.8.0_152 | 1 |
| Java Development Kit | 1.8.0_162 | 1 |
| Java Runtime Environment | 1.6.0_38 | 1 |
| Java Runtime Environment | 1.7.0_171 | 1 |
| OMNIXX Enterprise Edition | 5.3.4.7 | 1 |
| OpenSSL | 1.0.1_e | 3 |
| OpenSSL | 1.0.1_u | 1 |
| OpenSSL | 1.0.2_k | 1 |
| OpenSSL | 1.0.2_n | 1 |
| Oracle Client | 11.2.0.1.0 | 1 |
| Oracle Client | 11.2.0.3.0 | 1 |
| Oracle Client | 12.1.0.2 | 1 |
| Oracle Database | 11.2.0.4.0 | 1 |
| Oracle Database | 12.1.0.2 | 1 |
| Oracle Directory Server Enterprise Edition | 11.1.1 | 1 |
| SiteMinder Administrative UI | 12.52.108.2504 | 2 |
| SiteMinder Policy Server | 12.52.108.2504 | 1 |
| SiteMinder Policy Server | 12.80.300.2138 | 1 |
| SiteMinder Web Agent | 12.52.108.2504 | 7 |
| SiteMinder Web Logic Agent | 12 | 1 |

| | | |
|--|-------------|-----------|
| Sun Java System Directory Server Enterpr | | 1 |
| Syslog-ng | 5.0.10 | 1 |
| Tomcat | 7.0.55 | 1 |
| Tomcat | 7.0.68 | 1 |
| Tomcat | 7.0.85 | 1 |
| Tomcat | 8.5.24 | 1 |
| Tomcat | 8.5.32 | 1 |
| Tririga | 10_P3.6.0.6 | 1 |
| Web Output Pak | 5.7.1.16179 | 1 |
| WebLogic | 12.1.2.0.0 | 1 |
| WebLogic | 12.1.3.0.0 | 2 |
| WebLogic | 12.2.1.3.0 | 1 |
| WebSpellChecker | 1.5.0.6 | 1 |
| Total | | 71 |

Branchwide Network

| Row Labels | Sum of Quantity |
|----------------------------|-----------------|
| Equinix Los Angeles | 14 |
| Concentrator | 1 |
| Firepower Threat Defense | 2 |
| Firewall Management Center | 1 |
| Router | 4 |
| Switch | 4 |
| VPN Xpress Rt | 2 |
| Equinix San Jose | 14 |
| Concentrator | 1 |
| Firepower Threat Defense | 2 |
| Firewall Management Center | 1 |
| Router | 4 |
| Switch | 4 |
| VPN | 2 |
| MPLS WAN | 72 |
| Circuits | 36 |
| Routers | 36 |
| VPN | 47 |
| Site-to-Site | 47 |
| Grand Total | 147 |

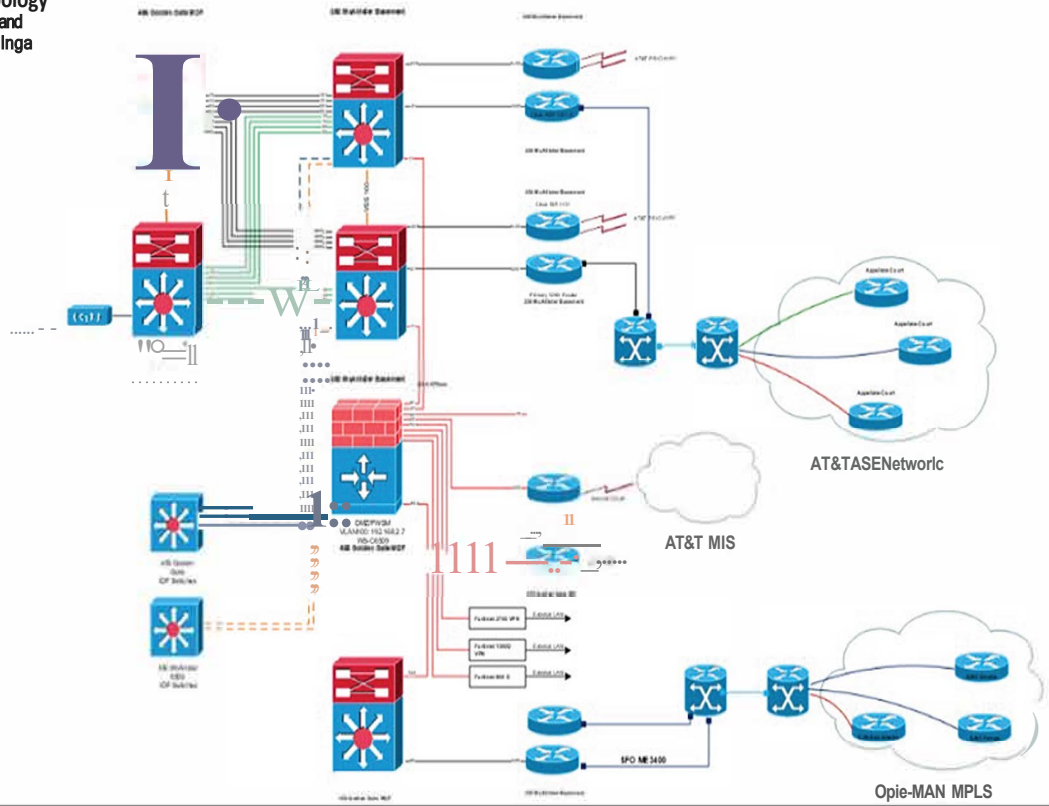
JCC AT&TASE WAN Topology



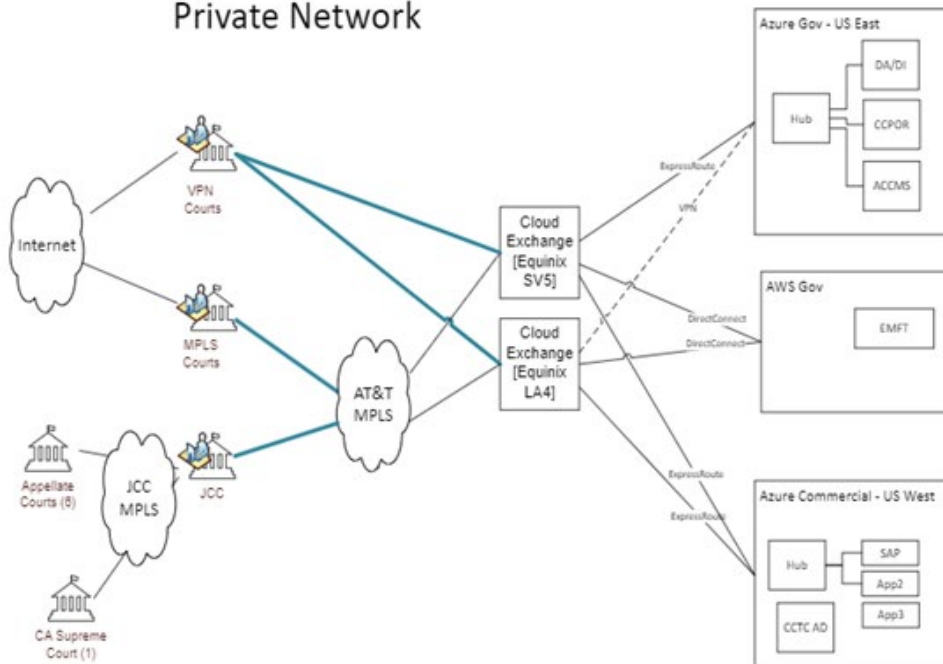
AT&T ASE Network

Primary Links
Secondary Links

SFO Network Topology
 455 Golden Gate and
 360 McAllister Buildings



Judicial Branch Private Network



- Overview:**
- Courts are our customers
 - JCC hosts applications in the cloud for the Courts
 - 58 independently owned and operated Courts
 - Courts connect via:
 - o MPLS
 - o Site-site IPSEC VPN
 - o Client VPN
 - Connectivity trend is moving away from MPLS in favor of VPN
 - Some Courts have multiple sites
 - Some Courts have their own datacenters
 - Every Court has it's own Internet access
 - JCC has no 'authority' over Courts
 - Equinix is our 'cloud exchange' solution
 - Most courts have Fortigate firewalls managed by SoD
 - Most courts have JCC/MSP managed Cisco WAN routers
 - Cloud exchange has Cisco routers